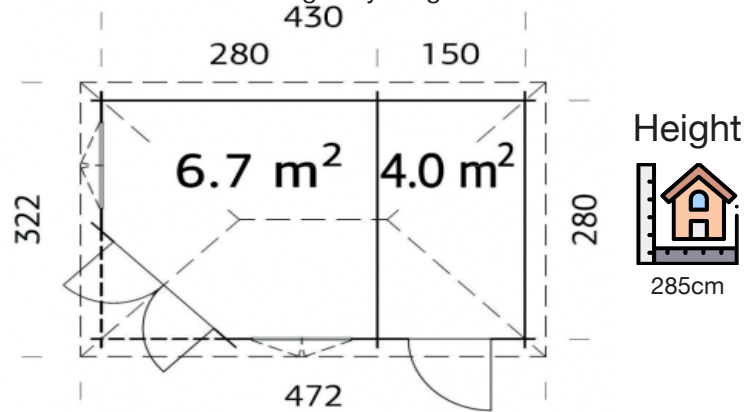


**OHIO**



The Ohio log cabin comes with 2 adjoining rooms - a summerhouse room for relaxing, this summerhouse room fitted with full glazed and beautiful windows for looking out onto the garden with a refreshing beverage in hand – And a second room included in this building is a storage unit with one outside door for quick and easy access. This means that the storage room, doubling up as an additional shed will save the need for other buildings in your garden.



430 x 280cm



28mm



17.2+9.9m³



6.7+4.0m²



73 x 181,  
134 x 180cm



90 x 144 (2)cm



19mm



16mm



N/A

**FULL SPECIFICATION**

<b>CABIN SIZE:</b>	430 x 280cm x 285cm
<b>WALL THICKNESS:</b>	28mm
<b>VOLUME:</b>	17.2+9.9m³
<b>AREA:</b>	6.7+4.0m²
<b>DOOR OPENING:</b>	73 x 181, 134 x 180cm
<b>WINDOW OPENING:</b>	90 x 144 (2)cm
<b>FLOORS BOARDS:</b>	19mm
<b>ROOF BOARDS:</b>	16mm
<b>ROOF OVERHANG:</b>	N/A
<b>UNDER PLANNING:</b>	No

Wood Type:	Nordic Spruce
Chalet Cut:	Logs (Wind & Rain Protection)
Window Type:	Double Glass
Window / Door Feature:	Rubber Seals & Silicone
Braces:	Wind Braces
Roof Boards With:	Boards With Tongue & Groove
Guarantee:	5 Years
Treated Foundation Joists:	Yes
<b>IDEAL FOR:</b>	Pavillion   Office   Study   Summer House

**FROM £3,983**

**FINANCE FROM £38.92PCM**

